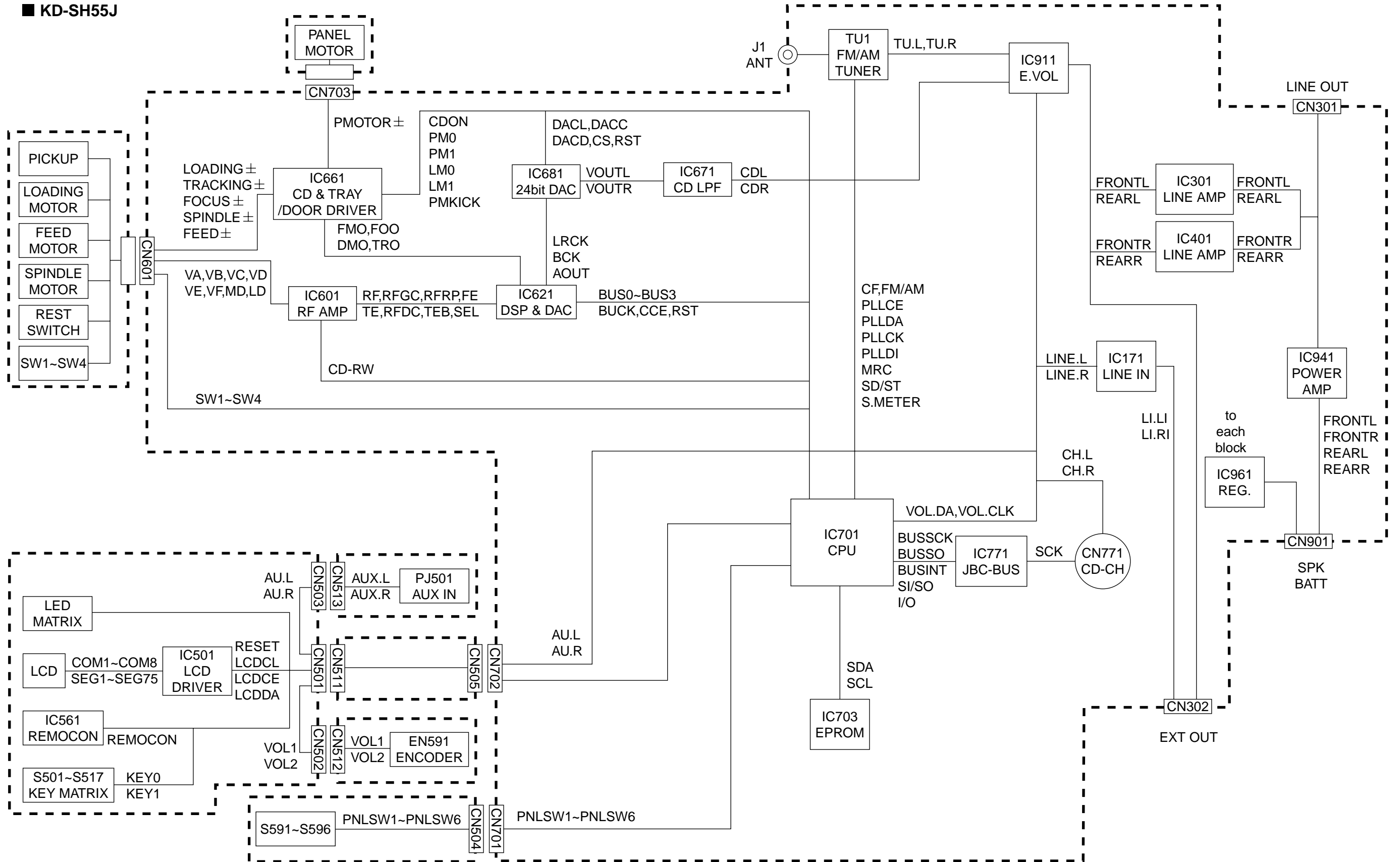


■ KD-SH55J



KD-SH77

CD servo & LCD driver section

6

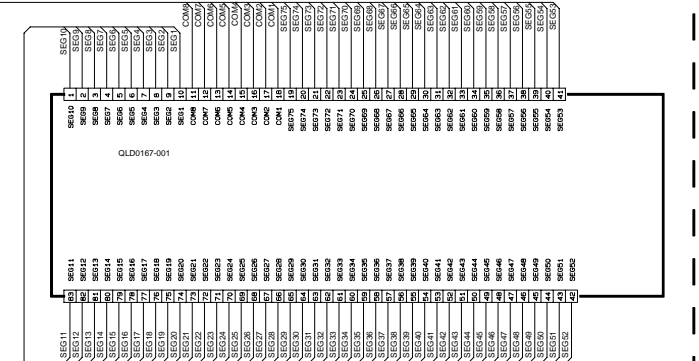
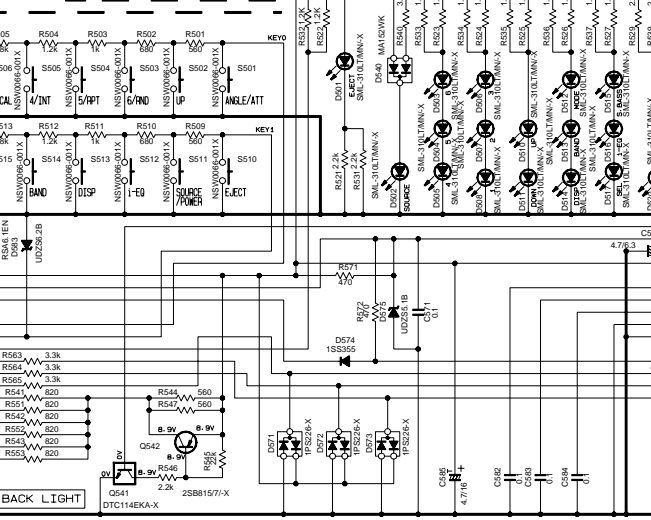
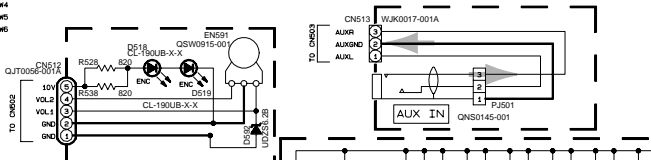
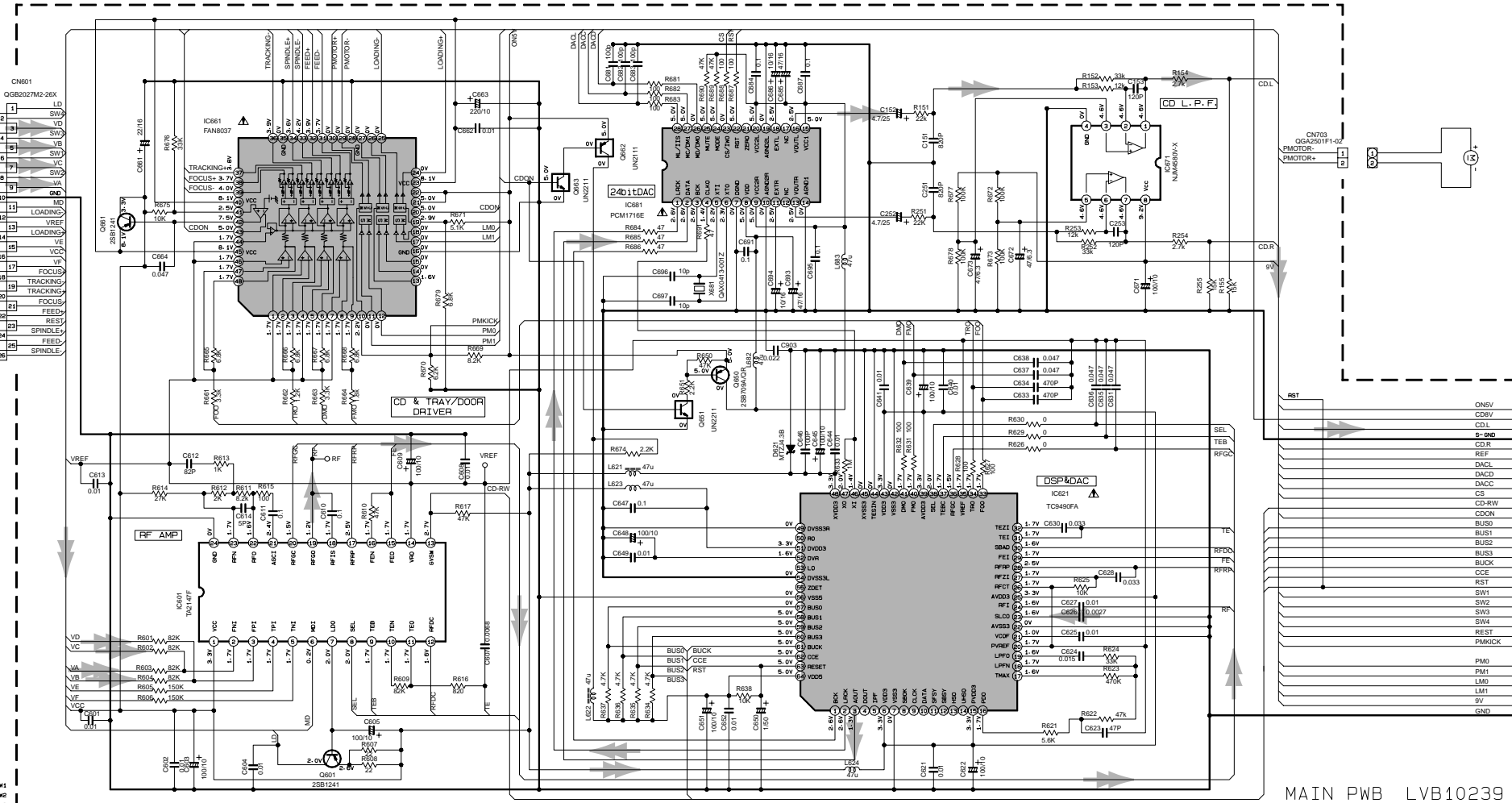
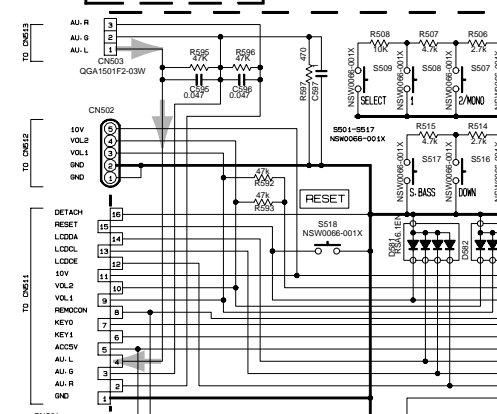
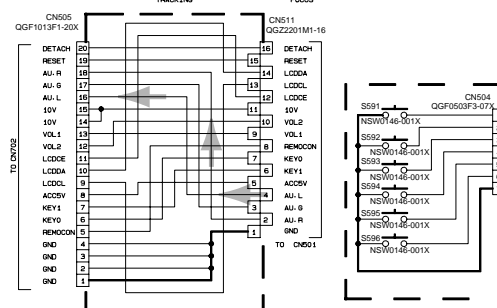
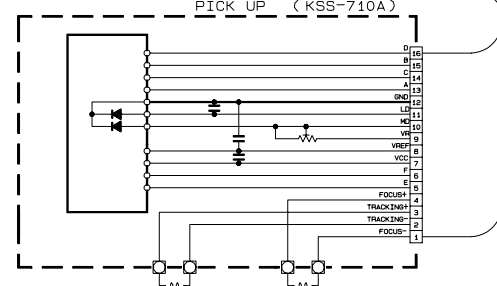
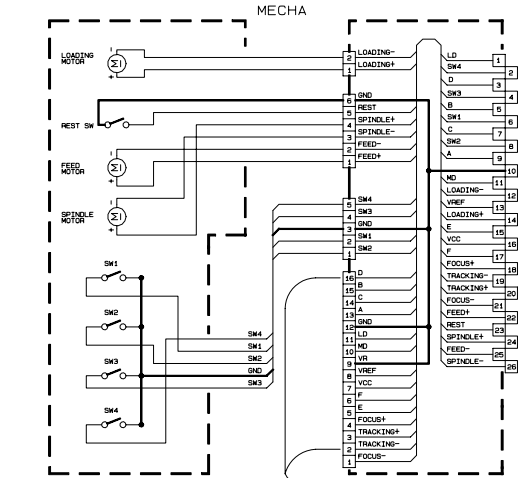
5

4

3

2

1



NOTES

- VOLTAGES ARE DC-MEASURED WITH A DIGITAL VOLT METER WITHOUT INPUT SIGNAL CONDITION - CD MODE.
- UNLESS OTHERWISE SPECIFIED, ALL RESISTORS ARE 1/10W ±5% METAL GLAZE RESISTOR. ALL CAPACITORS ARE 50V OR 25V CERAMIC CAPACITOR. ALL RESISTANCE VALUES ARE IN OHM. ALL CAPACITANCE VALUES ARE IN UF (PpF) ALL E-CAPACITORS ARE SHOWN IN THE FORM OF CAPACITANCE(UF)/RATED VOLTAGE(V) T --- TANTALUM CAPACITOR

➔ AUX IN SIGNAL

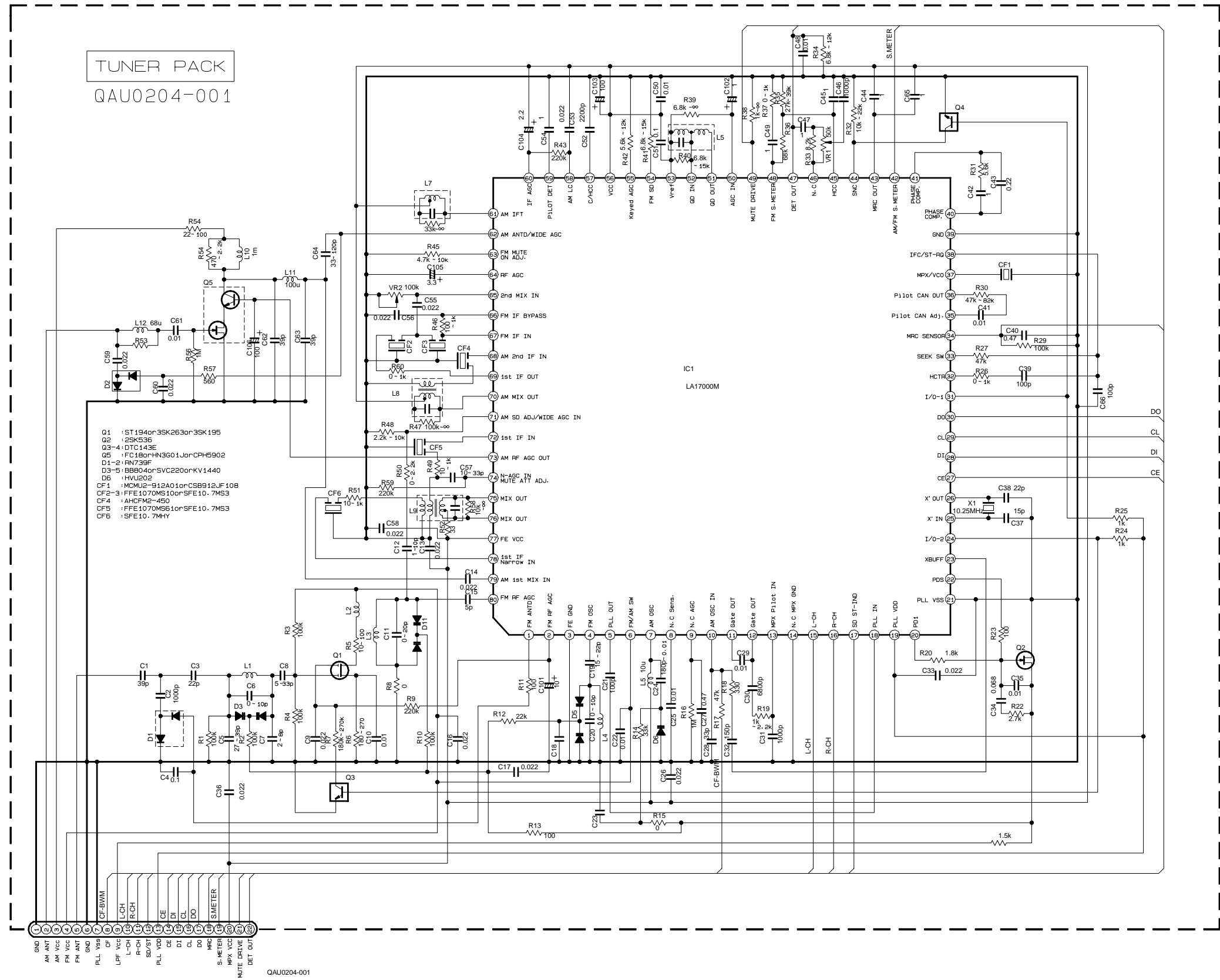
➔ CD SIGNAL

⚠ Parts are safety assurance parts. When replacing those parts make sure to use the specified one.

KD-SH77

Tuner pack section

6
5
4
3
2
1



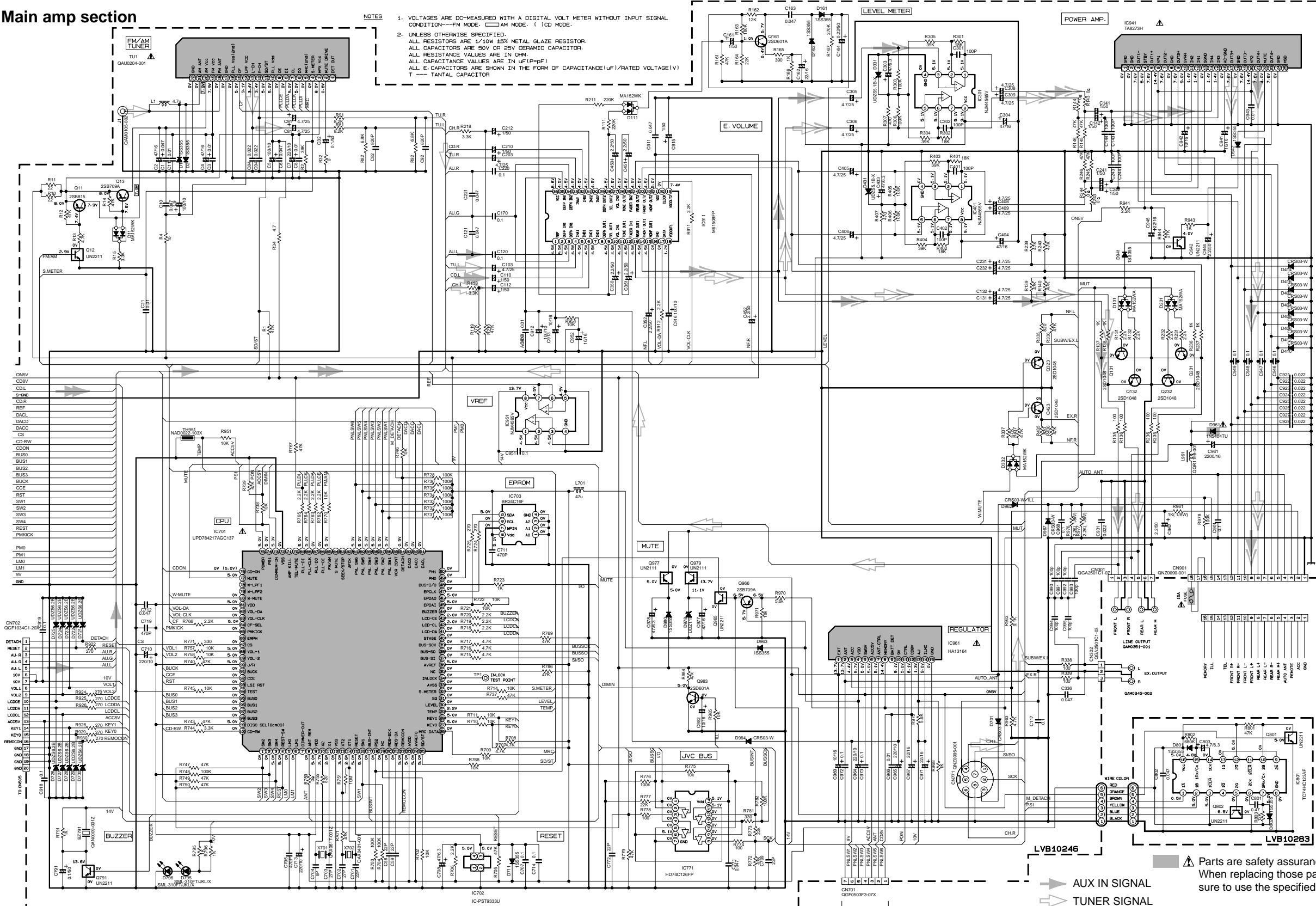
A B C D E F G H I

KD-SH55

Main amp section

NOTES

1. VOLTAGES ARE DC-MEASURED WITH A DIGITAL VOLT METER WITHOUT INPUT SIGNAL CONDITION—FM MODE. □ AM MODE. ∩ JCD MODE.
2. UNLESS OTHERWISE SPECIFIED:
ALL RESISTORS ARE 1/4W 45K METAL GLAZE RESISTOR.
ALL CAPACITORS ARE 50V OR 25V CERAMIC CAPACITOR.
ALL RESISTANCE VALUES ARE IN OHM.
ALL CAPACITANCE VALUES ARE IN uF (PpF)
ALL E-CAPACITORS ARE SHOWN IN THE FORM OF CAPACITANCE(uF)/RATED VOLTAGE(V)
T — TANTALUM CAPACITOR



- ▶ AUX IN SIGNAL
- ▶ TUNER SIGNAL
- ▶ CD SIGNAL
- ▶ CD CHANGER SIGNAL
- ▶ FRONT SIGNAL
- ▶ REAR SIGNAL

▲ Parts are safety assurance parts. When replacing those parts make sure to use the specified one.

A B C D E F G H I

KD-SH55

CD servo & LCD driver section

6

5

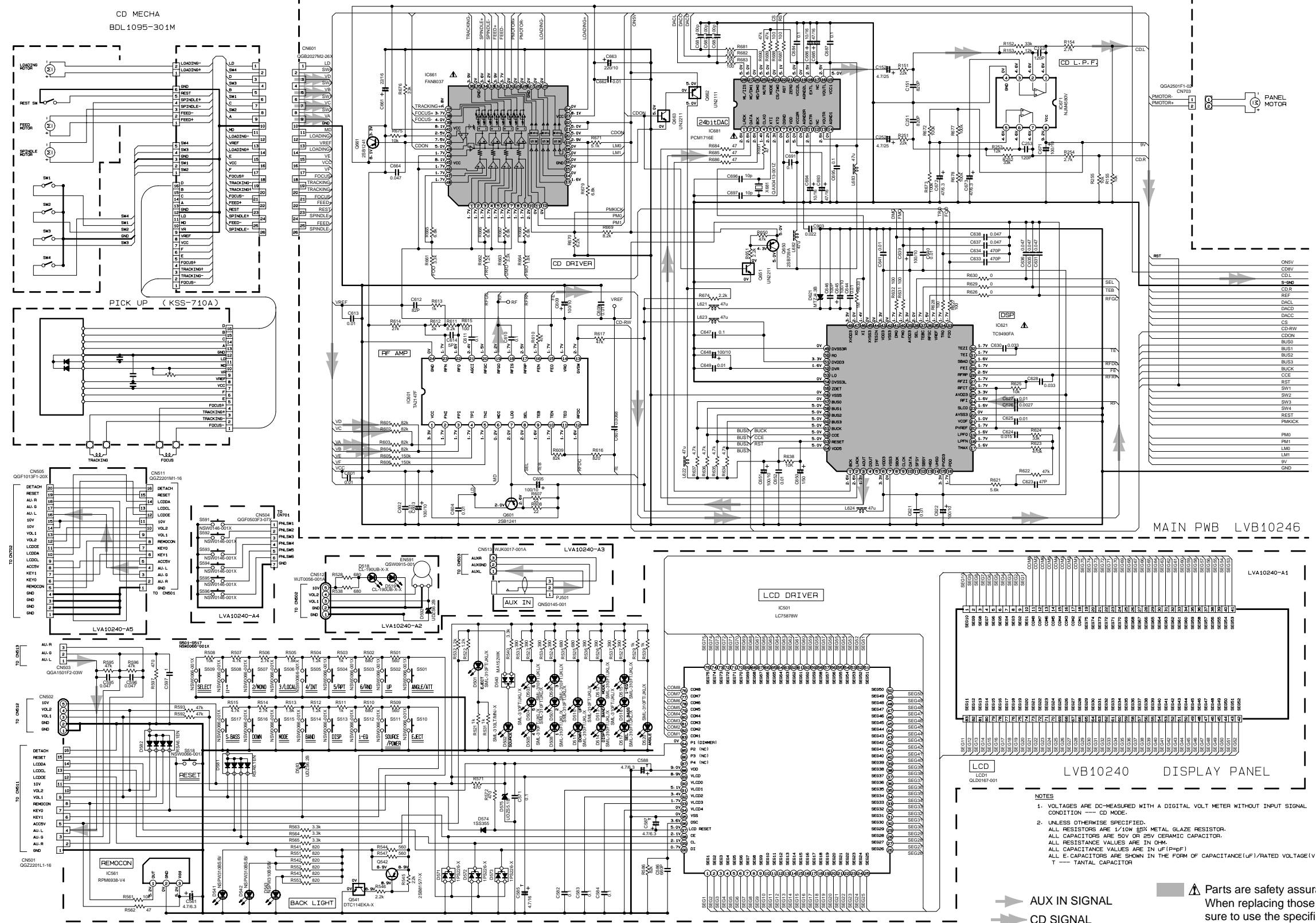
4

3

2

1

A B C D E F G H I



- NOTES
1. VOLTAGES ARE DC-MEASURED WITH A DIGITAL VOLT METER WITHOUT INPUT SIGNAL. CONDITION — CD MODE.
 2. UNLESS OTHERWISE SPECIFIED, ALL RESISTORS ARE 1/10W ±5% METAL GLAZE RESISTOR. ALL CAPACITORS ARE 50V OR 25V CERAMIC CAPACITOR. ALL RESISTANCE VALUES ARE IN OHM. ALL CAPACITANCE VALUES ARE IN μF (PF). ALL E-CAPACITORS ARE SHOWN IN THE FORM OF CAPACITANCE(μF)/RATED VOLTAGE(V) T — TANTALUM CAPACITOR

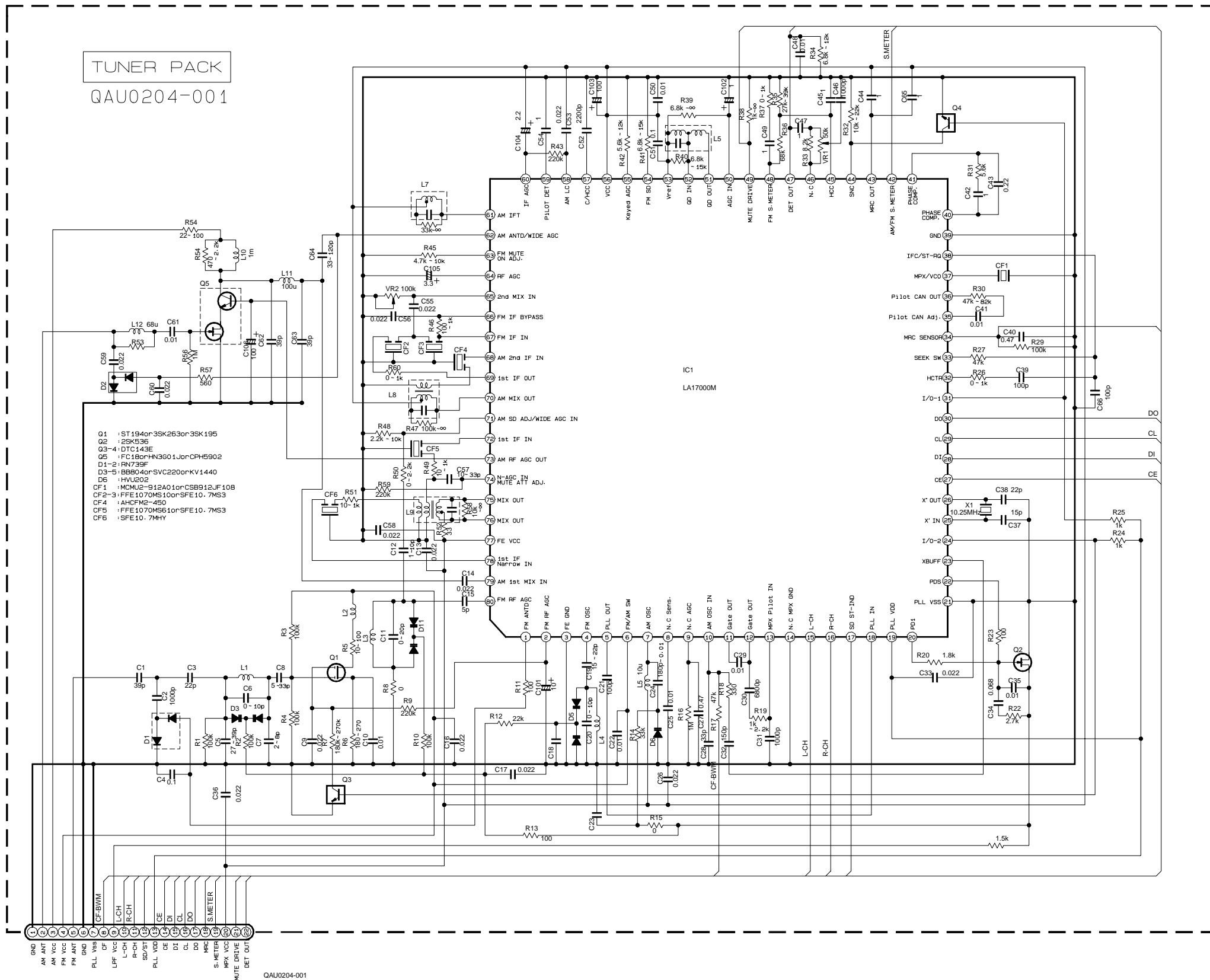
➔ AUX IN SIGNAL
➔ CD SIGNAL

⚠ Parts are safety assurance parts. When replacing those parts make sure to use the specified one.

KD-SH55

Tuner pack section

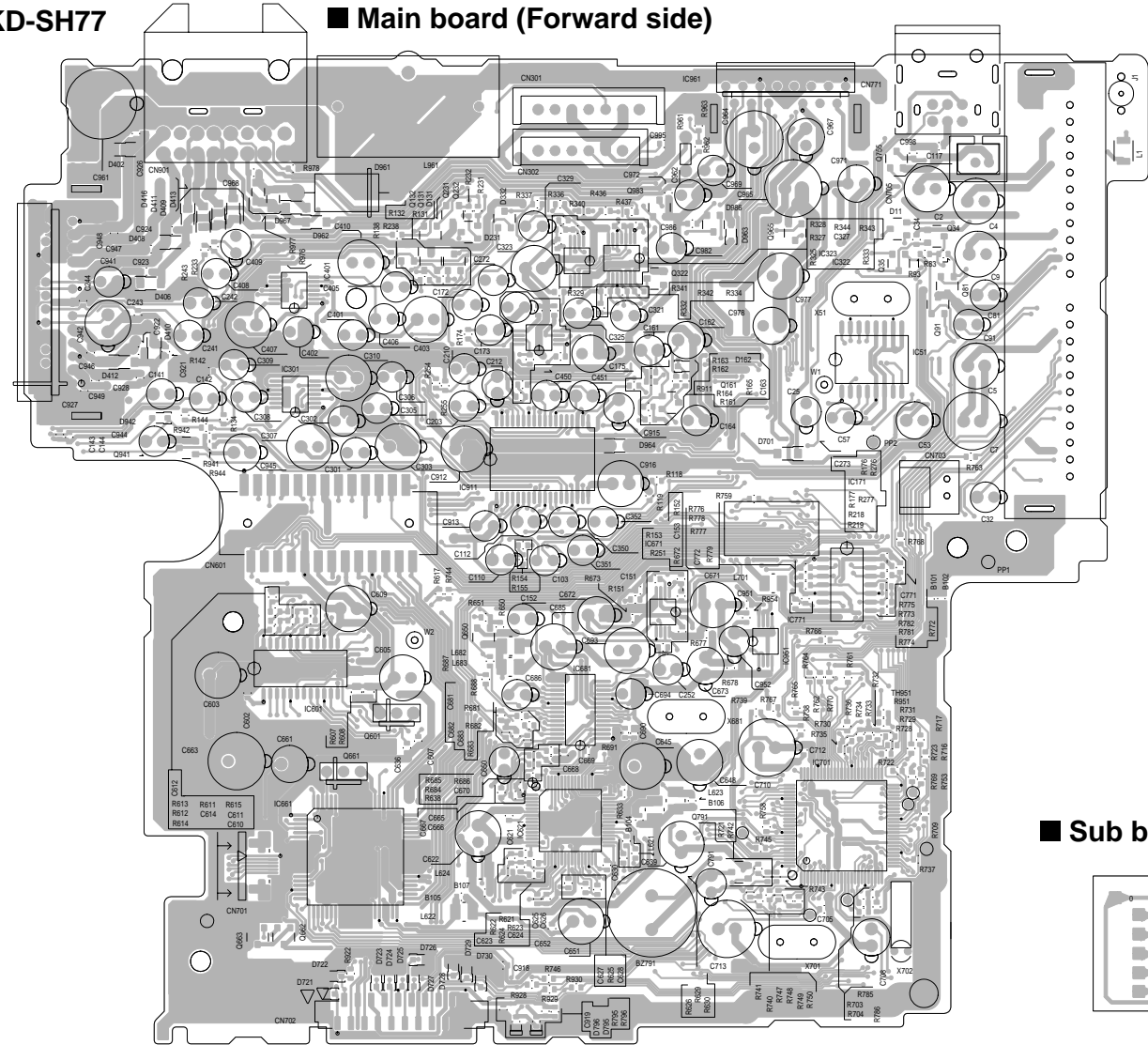
6
5
4
3
2
1



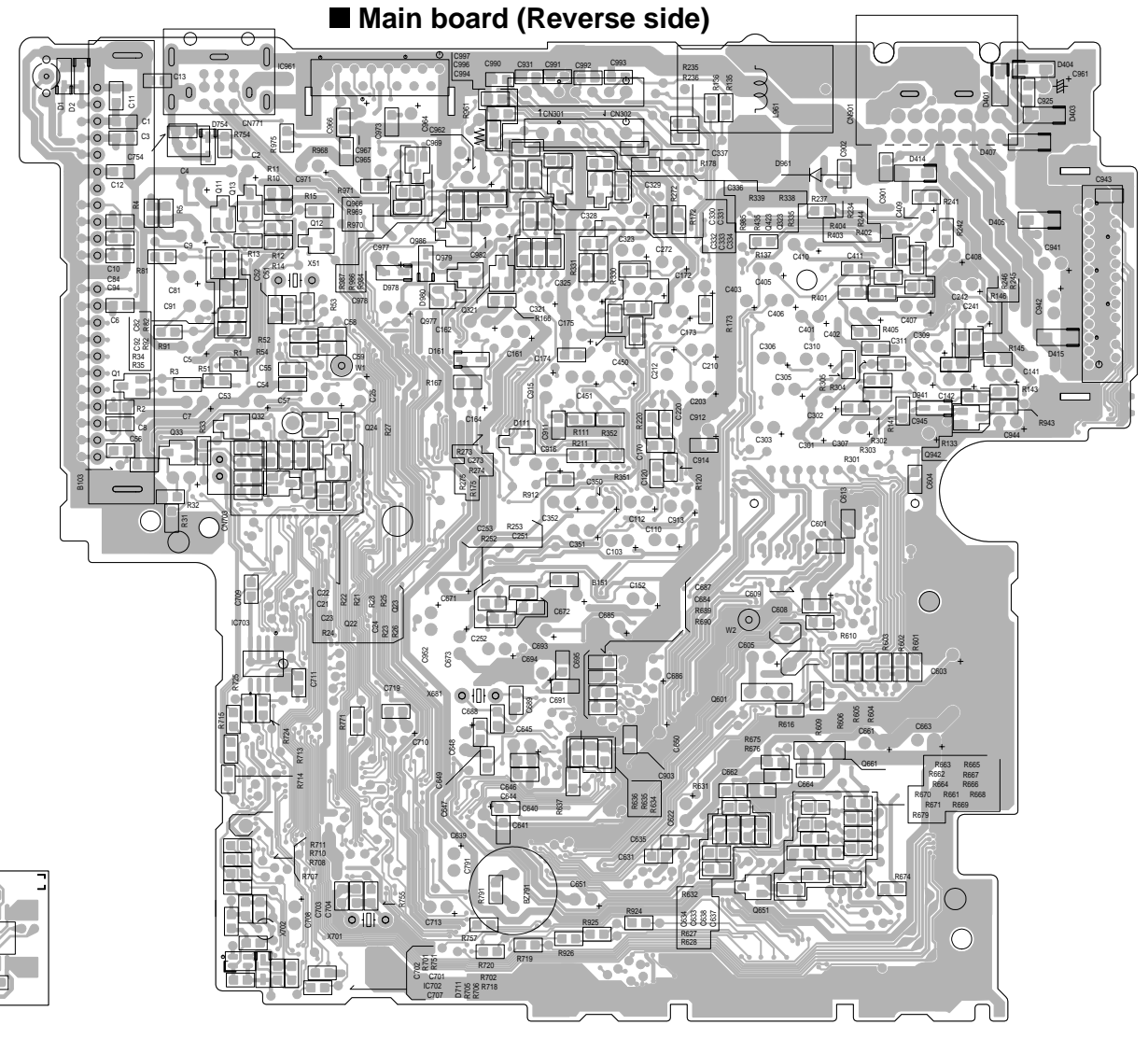
Printed circuit boards

KD-SH77

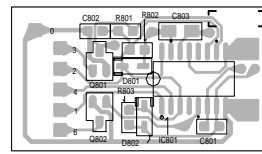
■ **Main board (Forward side)**



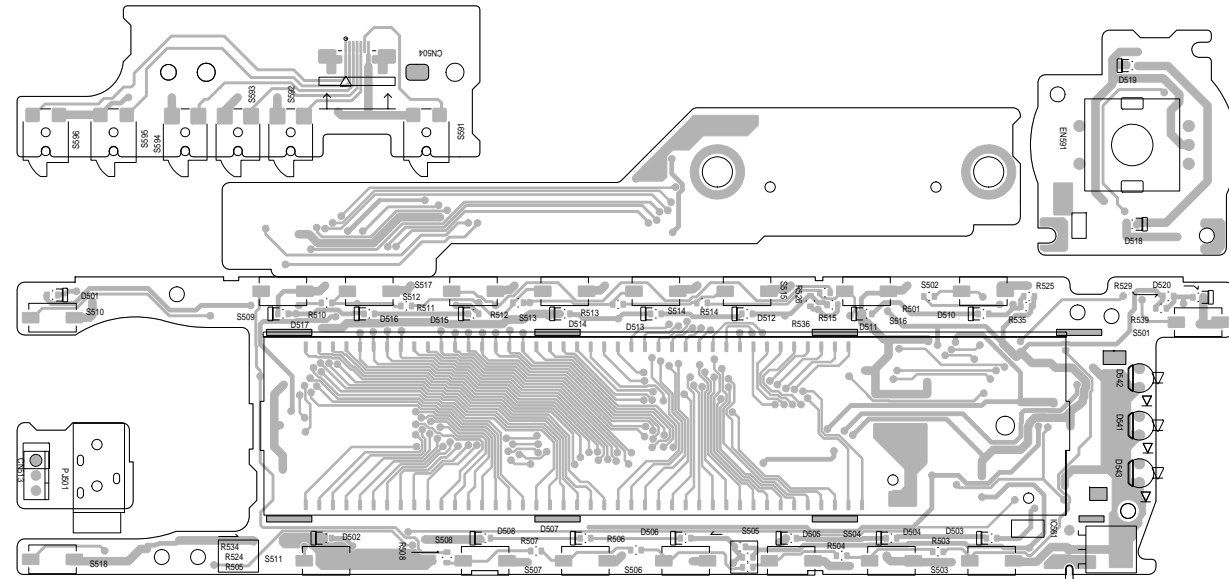
■ **Main board (Reverse side)**



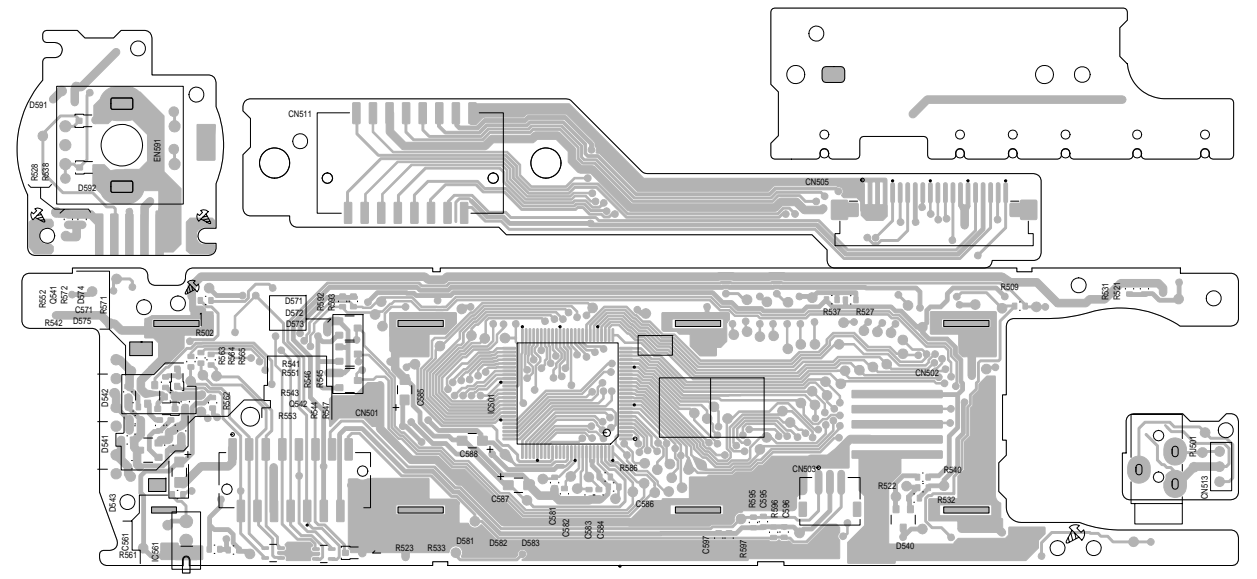
■ **Sub board**



■ **Front board (Forward side)**



■ **Front board (Reverse side)**

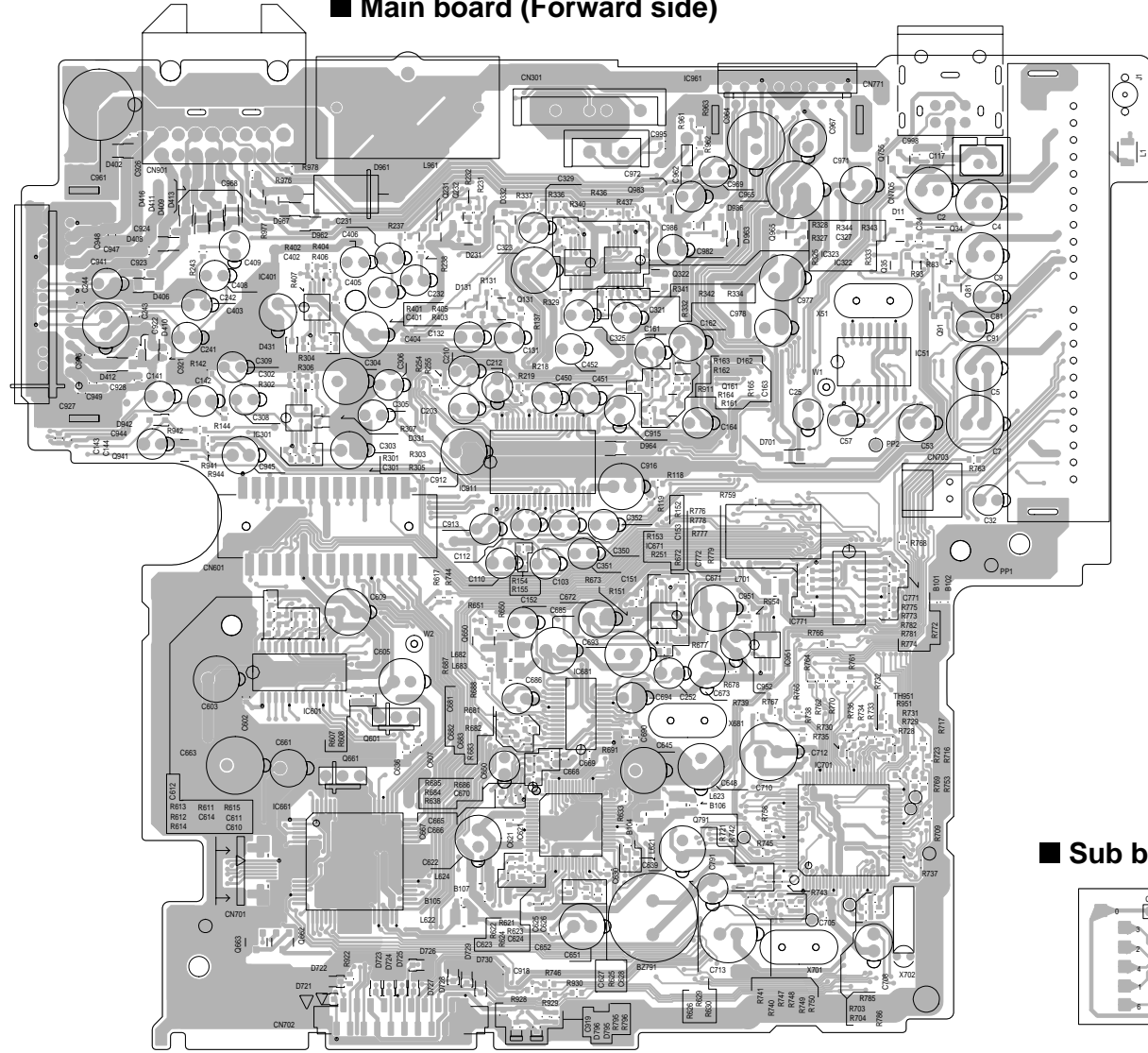


6
5
4
3
2
1

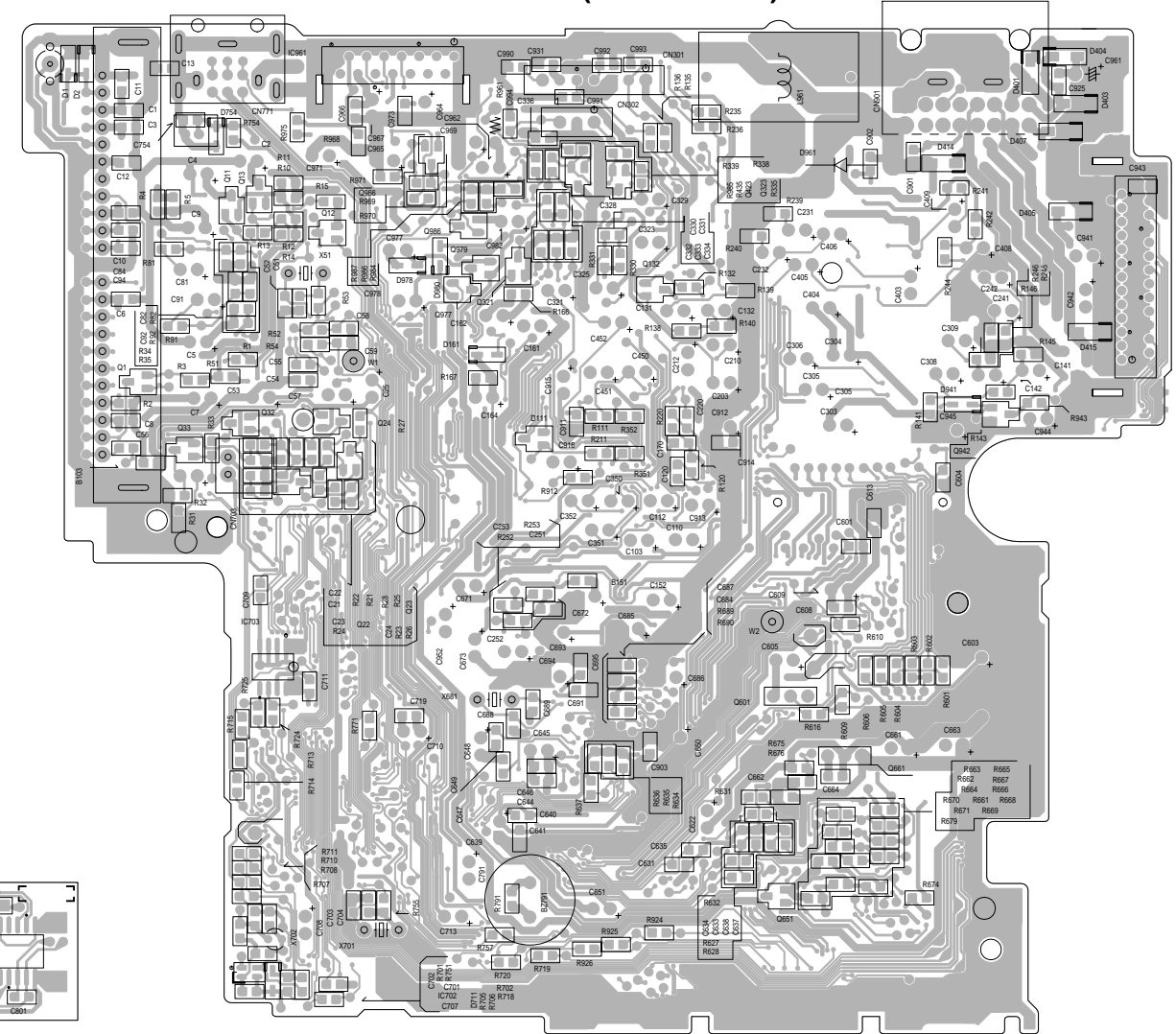
A B C D E F G H I

KD-SH55

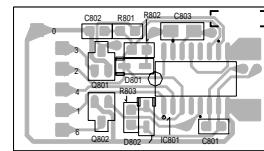
■ Main board (Forward side)



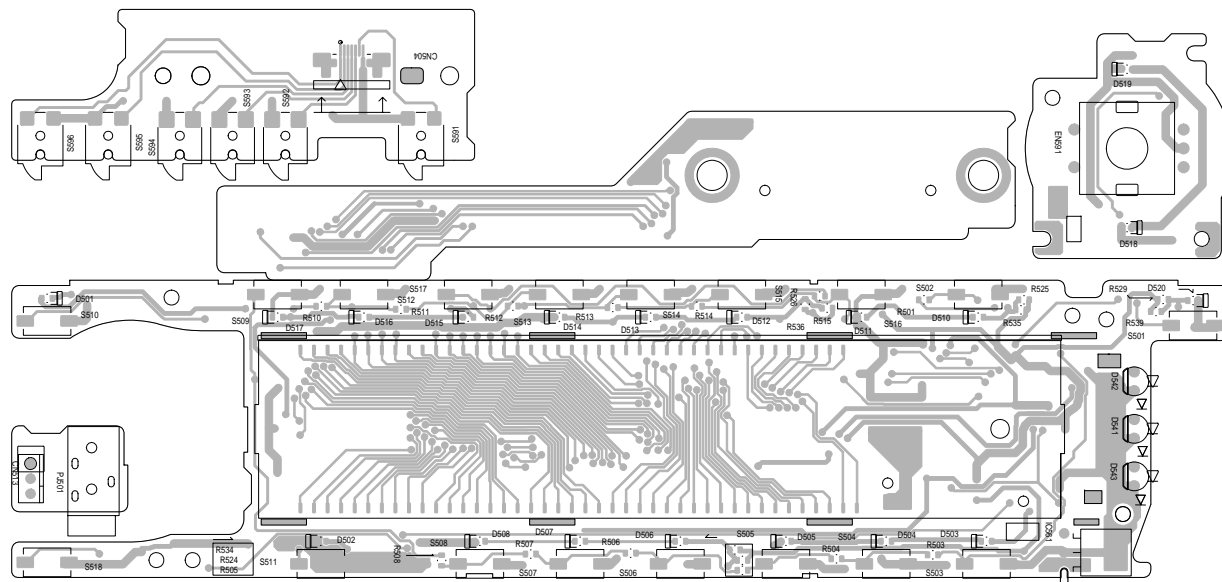
■ Main board (Reverse side)



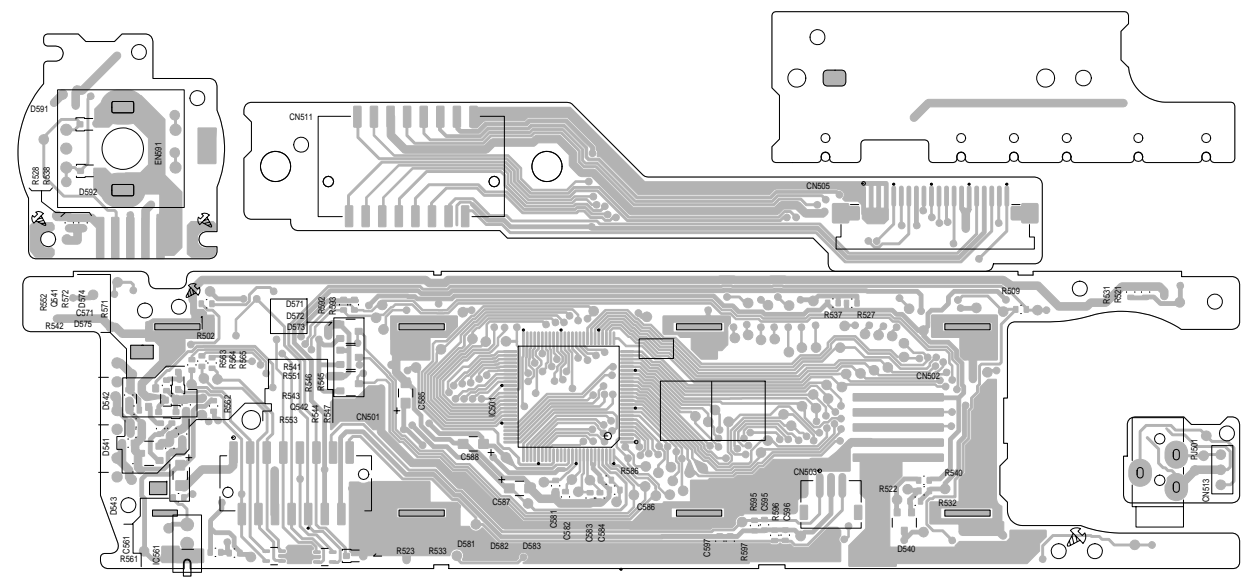
■ Sub board



■ Front board (Forward side)



■ Front board (Reverse side)



6
5
4
3
2
1

A B C D E F G H I